



*BARBADOS HORTICULTURAL SOCIETY*

# *FLOWER AND GARDEN SHOW OF 2019*

## EXHIBITOR'S MANUAL

Patron: Her Excellency, Dame Sandra Mason, GCMG, DA, Q C,

SATURDAY 26<sup>th</sup> JANUARY 10:00 am – 6:00 pm

SUNDAY 27<sup>th</sup> JANUARY 10:00 am – 6:00 pm

Admission \$20.00 - adults, \$7.00 - children

Prize giving Sunday January 27<sup>th</sup> at 4:00 pm

Affiliated Societies:-

Barbados Association of Floral Arrangers Inc.

Barbados Cactus & Succulent Society

Barbados Bonsai Club

Barbados Orchid Society

BHS HEADQUARTERS, BALLS, CHRIST CHURCH

TELEPHONE / FAX (246) 428 - 5889

EMAIL [hortsociety@caribsurf.com](mailto:hortsociety@caribsurf.com)

WEBSITE: [www.horticulturebarbados.com](http://www.horticulturebarbados.com)

## CONTENTS

Page No

---

<b>PRESIDENT'S ADDRESS</b> .....	
<i>SHOW COMMITTEE 2019</i> .....	- 5 -
<i>ENTRY OF EXHIBITS</i> .....	- 6 -
<i>JUDGING SCHEDULE</i> .....	- 7 -
<i>OVERSEAS DISPLAYS</i> .....	- 7 -
<i>REMOVAL OF EXHIBITS</i> .....	- 7 -
<i>AWARDS</i> .....	- 8 -
<i>ROYAL HORTICULTURAL SOCIETY'S "BANKSIAN" MEDAL AWARD WINNERS</i> .....	- 8 -
<i>TIPS AND NOTES FOR EXHIBITORS – RULES</i> .....	- 9 -
1. <i>Potted Plants</i> .....	- 9 -
2. <i>Vegetables and Fruit</i> .....	- 9 -
3. <i>Cut Flowers</i> .....	- 9 -
<i>DEFINITIONS</i> .....	- 9 -
<i>CUT FLOWERS - CLASS 1</i> .....	- 10 -
<i>Section A - ANTHURIUMS</i> <i>Section B - GINGERS &amp; HELICONIAS</i> .....	- 10 -
<i>14 Strelitziaceae (strelitzia reginae) – single stalk</i> .....	- 10 -
<i>Section C - LILIACEAE AND AMARYLLIDACEAE</i> .....	- 10 -
<i>Section D – BROMELIADS</i> <i>Section E - ACANTHUS (Shrimp plant family)</i> ....	- 10 -
<i>Section F - COMPOSITAE (Daisy family)</i> .....	- 10 -
<i>Section G - HIBISCUS Single Flowers</i> <i>Section H - IXORA</i> .....	- 11 -
<i>Section I - ROSES</i> .....	- 11 -
5 <i>Pentas – collection (3 different specimens)</i> .....	- 11 -
<i>ORCHID CUT FLOWERS – CLASS 2</i> .....	- 12 -
<i>SECTION A</i> .....	- 12 -
<i>Section B</i> .....	- 12 -
<i>Section C</i> .....	- 12 -
<i>ORCHID PLANTS IN FLOWER – CLASS 3</i> .....	- 13 -
<i>Section A</i> .....	- 13 -
<i>Section B - VANDACEOUS ORCHIDS</i> .....	- 13 -
<i>FERNS - CLASS 4</i> .....	- 14 -
<i>Section A – ADIATUM</i> <i>Section B - NEPHROLEPIS</i> .....	- 14 -
<i>Section C - POLYPODIUM</i> <i>Section D - PITYROGRAMMAS</i> .....	- 14 -
<i>Section E – ASPLENIUM (Bird Nest Fern)</i> <i>Section F - BLECHNUM</i> .....	- 14 -
<i>PLANTS IN FLOWER GROWN IN CONTAINERS - CLASS 5</i> .....	- 15 -
<i>Section A: Single or multiple specimens</i> .....	- 15 -
<i>Section B: Gesneriads (open section)</i> .....	- 16 -

**ORNAMENTAL FOLIAGE PLANTS GROWN IN CONTAINERS - CLASS 6.....- 15 -**

- Section A*     *Single or multiple Specimen- 18 -*
- Section B*     *Collections ..... - 18 -*
- Section C*     *Collections..... -20- 16 -*

**ORNAMENTAL PALMS AND CYCADS GROWN IN CONTAINERS - CLASS 7.....- 21 -**

- Section A1*    *PALMS, Feather leaves – Single Specimen ..... - 21 -*
- Section A3*    *CYCADS – Single Specimen ..... - 22 -*
- Section B2*    *PALMS - Collections ..... - 22 -*

**VEGETABLES - CLASS 8.....- 23 -**

- Section B*    *LEGUMES ..... - 23 -*
- Section D*    *VEGETABLES (LEAFY) – Potted Specimens..... - 24 -*
- Section F*    *ROOT VEGETABLES..... - 24 -*

**FRUIT - CLASS 9.....- 25 -**

- Section A*    *CITRUS..... - 25 -*
- Section B*    *FRUIT - LARGE ..... - 25 -*

**CLASS 10 - REGULATIONS ..... - 28 -**

**BONSAI DISPLAY - CLASS 11.. ..... - 29 -**

- Section A*    *Under 10 inches (30 cm) tall including container..... - 29 -*
- Section B*    *Over 10 inches (30 cm) tall including container ..... - 29 -*

**BARBADOS HORTICULTURAL SOCIETY’S CHALLENGE CUPS.....- 33 -**

**AND SPECIAL PRIZES 2018 ..... - 33 -**

**AND SPECIAL PRIZES 2018 ..... - 34 -**

**BARBADOS HORTICULTURAL SOCIETY’S CHALLENGE CUPS.....- 35 -**

**AND SPECIAL PRIZES 2018 ..... - 35 -**

**BARBADOS HORTICULTURAL SOCIETY’S REGISTRATION FORM..... - 36-38-**  
**2-38**

**BARBADOS HORTICULTURAL SOCIETY  
PRESIDENT'S ADDRESS**

Dear Members:

In our 90<sup>th</sup> year of incorporation as the Barbados Horticultural Society, we welcome you to our Annual Flower and Garden Show.

Our show will be staged on Saturday January 26, 2019 from 10:00 am to 6:00 pm., and again on Sunday January 27, 2019 from 10:00 am to 6:00 pm.

We are requesting your help as volunteers to in assist in the successful operation of this our main annual fund-raising effort.

1. **BHS Booth:** Marguerite Knight-Williams will need volunteers to assist on our BHS booth selling, annuals and herbs. Please call the office (428-5589) to let us know what times you can assist.
2. **Teas:** We need sandwiches, patties, cakes etc. Please call Jennifer Weetch at 436-0033 or 233-7976 and Julie Alleyne at 435-1105 with any donations, or if you would like to volunteer to serve teas.
3. **BHS Bar:** Trevor Hunte will look after the bar. Please contact him at 262-3262 if you are available to work in the bar or would like to donate juices.
4. **THIS & THAT:** Shirley Hoyte has volunteered to look after this stall. Please let her know what two (2) hour shift suits you; 10:00 am-12:00 noon; 12:00 noon-2:00 pm; 2:00 pm-4:00 pm; 4:00 pm-6:00 p.m.
5. **GATE:** Joan Workman has volunteered to assist with this aspect. She can be contacted at 696-6150, and she will be looking for members and friends to assist at our two gates from 10 am to 6 pm each day in two hour shifts from 10:00 am-12:00 noon; 12:00 noon-2:00 pm; 2:00 pm-4:00 pm; 4:00 pm-6:00 p.m.

Again, I look forward to your active participation and co-operation. Do feel free to contact Orson Daisley or myself if you have any suggestions.

Yours sincerely

Jennifer Weetch (Mrs.)  
President

## SHOW COMMITTEE 2019

Mrs Jennifer Weetch	Show Coordinator	436-0033
Mr. Orson Daisley	Show Coordinator	254-2574
Mrs Julie Blades	Cut Flowers	428-5686
Rev. Dr. Wayne Ramsay	Cacti and Succulents	420-6807
Mrs Erica Granger	BAFA Inc.	424-7651
Mr. Trevor Inniss	BAFA Inc.	436-3516
Mrs Jessica Cadogan	Ornamentals/Ferns	428-7071
Mrs Norma Johnson	Ornamentals/Ferns	571-8499
Mrs Karen Howard-Tripp	Fruit and Vegetables	571-1949
Mrs. Jessica Cadogan	Ferns/Palms	428-7071
Mr. Robert Gibbs	Bonsai	
Mrs. Norma Johnson	Chief Steward	571-8499
Mrs Marguerite Williams	BHS Stall	425-0102
Mr. Michael Marshall	Orchids	231-1825
Miss Shirley Hoyte	“This and That” Stall	426-7530
Mr. Orson Daisley	Bar & Parking	254-2574
Joan Workman	Gate	696-6150
Mrs Toni Pilgrim	Educational Demonstrations	429-1233
Mr. Dwight Miller	Show Plan	234-4513
Mr. Orson Daisley	Show Plan	254-2574
Mrs Jennifer Weetch	BHS Tea Stall	233-7976
Miss Julie Alleyne	BHS Tea Stall	435-1105
Mrs. Madeline Daisley	Cups & Prizes	423-3558
Mr. Roger Bryan	Cups & Prizes	429-0396
Dr. Frances Chandler	P.R	427-7642
Miss Jacklyn Broomes	P.R	836-1754
Mrs. Sonia Cozier-Devonish	Finance	422-5693
Mrs. Etwyn Humphrey	Membership	231-7249
Mrs. Toni Pilgrim	Judges Refreshment	429-1233

## ENTRY OF EXHIBITS

The Flower Show is open to all members of the Society as well as members of the public. No entry fee is charged for exhibits. **Entries received late will not be considered for judging.**

The Schedule for entries is as follows:-

FERNS, FOLIAGE AND FLOWERING PLANTS – Classes 4, 5 & 6	
<b>Thursday 24<sup>th</sup> January</b>	<b>9:00 am – 6:00 pm</b>
PALMS – Class 7	
<b>Thursday 24<sup>th</sup> January</b>	<b>9:00 am – 6:00 pm</b>
VEGETABLES – Class 8	
<b>Thursday 24<sup>th</sup> January</b>	<b>9:00 am – 6:00 pm</b>
FRUIT – Class 9	
<b>Thursday 24<sup>th</sup> January</b>	<b>9:00 am – 6:00 pm</b>
FLOWER ARRANGING – Class 10	
<b>Thursday 24<sup>th</sup> January</b>	<b>3:00 pm – Until</b>
<b>Friday 25<sup>th</sup> January</b>	<b>all day and night</b>
<b>Saturday January 26<sup>th</sup></b>	<b>until 6:00 am Sat 27<sup>th</sup></b>
ORCHID CUT FLOWERS – Class 2	
<b>Friday 25<sup>th</sup> January</b>	<b>12:00 noon – 6:00 pm</b>
ORCHID PLANTS – Class 3	
<b>Friday 25<sup>th</sup> January</b>	<b>12:00 noon – 6:00 pm</b>
CUT FLOWERS - CLASS 1	
<b>Saturday January 26<sup>th</sup></b>	<b>6:00 am – 8:00 am</b>
CACTI AND OTHER SUCCULENTS - Class 12	
<b>Thursday January 24<sup>th</sup></b>	<b>1:00 pm - 8:00 pm</b>

Classes are open to ALL exhibitors, including Members and Non-Members.

**Members needing help with transporting plants to the BHS are asked to phone BHS on January 18<sup>th</sup> and January 21<sup>st</sup>. Your plants will be transported on Thursday January 24<sup>th</sup>, 2019. Please collect labels from the office before hand and bring exhibits already labelled for judging. Incorrectly labelled exhibits will NOT BE JUDGED.**

## **JUDGING SCHEDULE**

FOLIAGE AND FLOWERING PLANTS	<b>Friday 25<sup>th</sup> January</b>	<b>9:00 am</b>
FERNS	<b>Friday 25<sup>th</sup> January</b>	<b>9:00 am</b>
FRUIT AND VEGETABLES ALL SECTIONS	<b>Friday 25<sup>th</sup> January</b>	<b>9:00 am</b>
PALMS	<b>Friday 25<sup>th</sup> January</b>	<b>9:00 am</b>
FLOWER ARRANGEMENTS	<b>Saturday 26<sup>th</sup> January</b>	<b>7:00am - 9:30am</b>
CUT FLOWERS	<b>Saturday 26<sup>th</sup> January</b>	<b>8:00 - 10:30 am</b>
ORCHID CUT FLOWERS AND ORCHID PLANTS	<b>Saturday 26<sup>th</sup> January</b>	<b>8:00 - 10:30 am</b>
CACTI AND OTHER SUCCULENTS	<b>Friday 25<sup>th</sup> January</b>	<b>2:00 pm</b>

## **OVERSEAS DISPLAYS**

Our Society has always welcomed exhibitors and visitors from overseas who join with us to promote horticulture throughout the world and we thank all those who, in the past, have contributed to the success of our shows.

Overseas displays are welcomed either accompanied or unaccompanied. If unaccompanied, arrangements can be made with the BHS to mount the display.

## **REMOVAL OF EXHIBITS**

This may be done after the show has closed on Sunday January 27<sup>th</sup> at 6:00 pm or Monday January 28<sup>th</sup> from 8:00 am to 4:00 pm. BHS accepts no liability for property left on the premises after these times. **Label stubs must be shown to BHS Officials before exhibits can be removed.**

## **POINT ALLOCATION**

1<sup>st</sup> Place – 3 points    2<sup>nd</sup> Place – 2 points    3<sup>rd</sup> Place – 1 point

## AWARDS

Everyone is eligible to win prizes. However, only members of the Barbados Horticultural Society are eligible to win the Society's Challenge Cups.

In Class 5, the "Phostrogen Challenge Cup for the Best Plant in Flower" will be awarded to the best entry in Sections A, B C and D.

In Class 6 the "Iris Bannochie Challenge Cup for the Best Ornamental Foliage Exhibit" to the best exhibit in Sections A and C.

The "Henry D'Costa Alleyne Challenge Cup for the most outstanding exhibit in the show" is awarded from Classes 5 and 6.

No entry which forms part of a collection in Class 5 or Class 6 may be awarded a Cup for a single specimen.

The **RHS Banksian Medal** is awarded to the exhibitor gaining the highest aggregate of points in the show provided that they have not won it for at least two years previously. Winner of the Banksian Medal must participate in not less than four classes and as many sections as possible and this is to be submitted to the Royal Horticultural Society, London. This medal can only be won by a BHS member. Points won in Flower Arranging Section are NOT eligible for the Banksian medal.

### ROYAL HORTICULTURAL SOCIETY'S "BANKSIAN" MEDAL AWARD WINNERS

1975	-	Mrs C O Williams	1997	-	Mr A Williams
1976	-	Mr C G Leacock	1998	-	Mrs I S Robinson
1977	-	Mrs J M Bannochie	1999	-	Mrs Y Gray
1978	-	Mrs M Callender	2000	-	Mr A Williams
1979	-	Mrs W F M Coulter	2001	-	Mrs I S Robinson
1980	-	Mrs J M Bannochie	2002	-	Mrs Judy Worme
1981	-	Mr A Atkinson	2003	-	Mrs Moneta Millington
1982	-	Mr E Jarvis	2004	-	Mrs Mona Walker
1983	-	Mrs J M Bannochie	2005	-	Mrs Judy Worme
1984	-	Mrs I S Robinson	2006	-	Mrs Moneta Millington
1985	-	Mr E Jarvis	2007	-	Mrs Judith Inness
1986	-	Mrs J M Bannochie	2008	-	Mrs Judy Atwell
1987	-	Mrs I S Robinson	2009	-	Mrs Betty Maxwell
1988	-	Mrs C O Williams	2010	-	Mrs Megan Weekes
1989	-	Mr C G Leacock	2011	-	Mrs Madeline Daisley
1990	-	Mr Ole Dam-Mikkelsen	2012	-	Mr and Mrs Samuel Maxwell
1991	-	Mrs I S Robinson	2013	-	Mrs Julie Landis
1992	-	Mr A Yearwood	2014	-	Mrs Prema Singh
1993	-	Mrs A Daniel	2015	-	Mrs Betty Maxwell
1994	-	Mrs I S Robinson	2016	-	Rev. Dr. Wayne Ramsay
1995	-	Mrs C Thomas	2017	-	Mrs. Prema Singh
1996	-	Mrs A Daniel	2018	-	Mrs. Madeline Daisley



## TIPS AND NOTES FOR EXHIBITORS – RULES

1. **ANY PLANT WHICH IS INFECTED OR DISEASED WILL NOT BE ACCEPTED FOR COMPETITION.**
2. **All entries must be labelled with the tags provided.**
3. **Exhibitors are not allowed in the judging area when judging is on.**
4. **Late entries will not be considered.**
5. **Judges decisions are final.**

### 1. Potted Plants

All plants must be the bona fide property of the exhibitor for a minimum of three months. Pay special attention to the presentation of your plants. The size of the pot is important. There must be good balance between the plant and the pot. Where plastic pots are used they should be clean on the outside of any soil or potting material and moss/algae. Clay, stone and concrete pots when used however, can be presented with the typical moss/algae growth that they acquire with age. The plant itself should be healthy and well groomed. Any untidy bits, dried or damaged leaves should be removed. Smooth, sturdy leaves should be cleaned with water and a little milk applied gently with a soft cloth or tissue. Polishing leaves with oily materials is not allowed.

### 2. Vegetables and Fruit

Most vegetables and fruit can be reaped ahead of time to save time, except for leafy vegetables like lettuce and spinach etc. Be sure that your vegetables and fruit are well washed and attractively displayed. Ground provisions should be scrubbed and free of mud. Soak in cold water, scrub with a soft brush and dry thoroughly with a soft cloth.

### 3. Cut Flowers

Cut flowers and vegetables will be displayed in containers provided by the Society.

We welcome you to the show as an exhibitor. If you need any advice or assistance call our office 428-5889 or any member of the Show Committee, who will be glad to help you. Email us at [hortsociety@caribsurf.com](mailto:hortsociety@caribsurf.com).

## DEFINITIONS

<b>Specimen, multiple</b>	Two or more stems / or multiple flower stalks
<b>Specimen, single</b>	One stem or one flower stalk.
<b>Flowering stem</b>	One stalk or one stem with the growth normally presented.
<b>Hybrid</b>	A cross between two or more species.
<b>Sport</b>	A variation which has occurred on a species or hybrid and can be propagated vegetatively.
<b>Variety,</b>	Shall imply distinct difference in colour or form of the
<b>All different, Variegation</b>	specimens.
<b>AOV</b>	Any Other Variety. Any plant not named in the sections.

## CUT FLOWERS - CLASS 1

### Section A - ANTHURIUMS

- 1 Single spathe, local pink
- 2 Single specimen, hybrid
- 3 Three specimens, all different
- 4 Single Anthurium, miniature
- 5 Three specimens, miniature

### Section B - GINGERS & HELICONIAS

- 1 Red Ginger (*alpinia purpurata*) (single stalk)
- 2 Pink Ginger (*A purpurata rosea*) (single stalk)
- 3 White Ginger
- 4 Torch Ginger
- 5 Shampoo Ginger
- 6 Beehive Ginger (single stalk)
- 7 Gingers (3 specimens, all different)
- 8 Heliconia, small type (single stalk)
- 9 Heliconia, large type (single stalk)
- 10 Ornamental "Banana" (*musa*) family
- 11 Heliconia, large type all different (3 stalks)
- 12 Heliconia, small type all different (3 stalks)
- 13 Heliconia, pendulus (single stalk)
- 14 Strelitziaceae (*strelitzia reginae*) – single stalk
- 15 Strelitziaceae (*strelitzia nicolai*) – single stalk
- 16 AOV (not listed)

### Section C - LILIACEAE AND AMARYLLIDACEAE

- 1 Amaryllis (single stalk)
- 2 Eucharist lily (single stalk)
- 3 Gladiolas (single stalk)
- 4 Gloriosa lily (single stalk)
- 5 Tuberose (single stalk)
- 6 Double Tuberose (single stalk)
- 7 Crinum single
- 8 Hippeastrum (Easter lily) (single stalk)
- 9 AOV (not listed)

### Section D – BROMELIADS

- 1 Single specimen
- 2 Three specimens
- 3 AOV (not listed)

### Section E - ACANTHUS (Shrimp plant family)

- 1 Aphelandra
- 2 Beloperone (3 stalks)
- 3 Crossandra (3 stalks)
- 4 Justicia (3 stalks)
- 5 Pachystachys (3 stalks)
- 6 Three specimens Acanthaceae (all different)
- 7 AOV (not listed)

### Section F - COMPOSITAE (Daisy family)

- 1 Chrysanthemum (3 specimens)
- 2 Gerbera, single (3 specimens)
- 3 Gerbera, double (3 specimens)
- 4 Gerbera, Tetraploid (3 specimens)
- 5 Marigold, African, large (3 specimens)
- 6 Marigold, French, small (3 specimens)
- 7 Zinnia (3 specimens)
- 8 Aster (3 specimens)
- 9 Sunflower (1 specimen)
- 10 Gazinia (3 specimens)
- 11 AOV (not listed)

**Section G - HIBISCUS Single Flowers**

- 1 Single specimen, under 4" across
- 2 Single specimen, over 4" across
- 3 Double specimen
- 4 Three single specimens, all different
- 5 Three double specimens, all different
- 6 Six specimens, double or single
- 7 AOV (not listed)

**Section H - IXORA**

- 1 Large red (single stalk)
- 2 Any other colour, large (single stalk)
- 3 Three specimens, large, all different
- 4 Dwarf (single stalk)
- 5 Dwarf, three specimens, all different
- 6 AOV (not listed)

**Section I - ROSES**

- 1 Hybrid Tea (over 40 petals, single stalk)
- 2 Hybrid Tea (under 40 petals)
- 3 Hybrid Tea (3 stalks, all different)
- 4 \* Floribunda (single stalk)
- 5 Floribunda (3 specimens)
- 6 \*\* Polyanthus (single stalk)
- 7 Polyanthus-type rose (3 stalks)
- 8 5 Petal Rose (shell rose)
- 9 Roses – collection (6 specimens, any roses)
- 10 AOV (not listed)

*\*Floribunda consists of three roses, one at centre, the remaining two on either side.*

*\*\* Polyanthus consists of a cluster of several, tiny roses, smaller than those found on a Floribunda.*

**Section J – HOLMSKIOLDIA**

Three specimens of each

- 1 Holmskioldia (red) (Chinaman's Hat)
- 2 Holmskioldia (orange)
- 3 Holmskioldia (purple)
- 4 Holmskioldia – collection (3 different specimens)
- 5 AOV (not listed)

**Section K – PENTAS**

Three specimens of each

- 1 Pentas (red)
- 2 Pentas (white)
- 3 Pentas (purple)
- 4 Pentas (pink)
- 5 Pentas – collection (3 different specimens)
- 6 AOV (not listed)

**Section L – RONDELETIA**

Three specimens of each

- 1 Rondeletia red
- 2 Rondeletia pink
- 3 AOV (not listed)

**Section M - SALVIA**

Three specimens of each

- 1 Salvia (red)
- 2 Salvia (blue)
- 3 AOV (not listed)

**Section N – PORTLANDIA**

Single specimen

- 1 Portlandia (1 stem)
- 2 AOV (not listed)

## ORCHID CUT FLOWERS – CLASS 2

### Section A

- |                                |   |
|--------------------------------|---|
| 1 Cattleya alliance, species   | 9 Oncidium alliance (species AOV)       |
| 2 Cattleya alliance, hybrid    | 10 Oncidium alliance (hybrid bulb type) |
| 3 Dendrobium, species          | 11 Oncidium alliance (hybrid AOV)       |
| 4 Dendrobium, hybrid           | 12 Phalaenopsis species                 |
| 5 Doritenopsis                 | 13 Phalaenopsis hybrid (white)          |
| 6 Epidendrum, species          | 14 Phalaenopsis hybrid (other colours)  |
| 7 Epidendrum, hybrid           | 15 Spathoglottis                        |
| 8 Oncidium species (bulb type) | 16 AOV (not listed)                     |

### Section B

- 1 Vanda species terete
- 2 Vanda hybrid terete
- 3 Vanda semi or quarter terete
- 4 Arachnis species or hybrid
- 5 Aranda
- 6 Ascocenda (species or hybrid)
- 7 Renanthera (species or hybrid)
- 8 AOV Vandaceous orchid species
- 9 AOV Vandaceous orchid hybrid

### Section C

- 1 Any other Orchid species inflorescence not listed Class 2 Section A or B
- 2 Any other hybrid Orchid inflorescence not listed Class 2 Section A or B
- 3 AOV (not listed)

## ORCHID PLANTS IN FLOWER – CLASS 3

### Section A

- 1 Cattleya alliance, species
- 2 Cattleya alliance, hybrid (all in one colour)
- 3 Cattleya alliance, hybrid (more than one colour)
- 4 Dendrobium, species
- 5 Dendrobium hybrid (round type flower)
- 6 Dendrobium hybrid (intermediate type flower)
- 7 Dendrobium hybrid (horn type flower)
- 8 Epidendrum, species
- 9 Epidendrum hybrid
- 10 Oncidium species (bulb type)
- 11 Oncidium species (equitant)
- 12 Oncidium species AOV
- 13 Oncidium alliance (hybrid, bulb type)
- 14 Oncidium alliance (hybrid, equitant type)
- 15 Oncidium alliance (hybrid AOV)
- 16 Phalaenopsis species
- 17 Phalaenopsis hybrid (white)
- 18 Phalaenopsis hybrid (other colours)
- 19 Spathoglottis species or hybrid
- 20 AOV species (not listed in Section A or B)
- 21 AOV hybrid (not listed in Section A or B)

### Section B - VANDACEOUS ORCHIDS

- |                                       |  |
|---------------------------------------|--|
| 1 Vanda species terete                | 7 Ascocenda second or third generation   |
| 2 Vanda hybrid terete                 | 8 Renanthera species or primary hybrid   |
| 3 Vanda hybrid semi or quarter terete | 9 Rynchosyilis species or primary hybrid |
| 4 Vanda hybrid strap leaf             | 10 AOV Vandaceous orchid species         |
| 5 Aranda                              | 11 AOV Vandaceous orchid hybrid          |
| 6 Ascocenda primary hybrid cross      |  |

## FERNS - CLASS 4

### Section A – ADIATUM

- 1 Maiden Hair Fern
- 2 Giant (A trapesiforme)
- 3 AOV Section A

### Section C - POLYPODIUM

- 1 P Aureum (Breadfruit Fern)
- 2 P Punctatum (Celery Fern)
- 3 AOV Polypodium species

### Section E – ASPLENIUM (Bird Nest Fern)

### Section G – CYRTOMIUM (Holly Fern)

### Section I – PLATYCERIUM (Stag Horn & Elk)

### Section J – PTERIS

### Section B - NEPHROLEPIS

- 1 Biserata furcans (Fishtail)
- 2 Exaltata (Boston) all varieties
- 3 Pigmy Fern (Button)
- 4 AOV Section B

### Section D - PITYROGRAMMAS

- 1 Calomelanos (Silver Fern)
- 2 Chrysophylla (Gold Fern)

### Section F - BLECHNUM

### Section H – DAVALIA (Rabbit Foot)

### Section K – SELAGINELLA

## PLANTS IN FLOWER GROWN IN CONTAINERS - CLASS 5

### Section A: Single or multiple specimens

- 1 Acanthus (Shrimp Plant Family)
- 2 Acalypha – Cat’s Tail
- 3 Adenium – Desert Rose
- 4 Allamanda
- 5 Alpinia - gingers
- 6 Altramanthra
- 7 Amaranthus
- 8 Amaryllis (Hippeastrum)
- 9 Anthurium, local pink
- 10 Anthurium, other colours
- 11 Anthurium, miniature
- 12 Antigonon spp – Coralita
- 13 Aphelandra
- 14 Begonia
- 15 Bougainvillea
- 16 Bromeliad
- 17 Brugmansia/Datura
- 18 Caesalpinia – Pride of Barbados family
- 19 Calliandra – Red & Pink Powderpuff plants
- 20 Callistemon – “Bottle brush” tree
- 21 Cannas – Canna Lily
- 22 Capsicum – Ornamental pepper
- 23 Celosia – “Cockscomb”
- 24 Chrysanthemum
- 25 Clerodendrum
- 26 Costus – “Spiral Ginger”
- 27 Crinum
- 28 Cuphea
- 29 Cuphea (Bronze)
- 30 Curcuma
- 31 Dahlia
- 32 Durante
- 33 Episcia
- 34 Euphorbia (Crown of Thorns)
- 35 Galphimia - Canariensis
- 36 Gerbera
- 37 Geranium
- 38 Gladiolus
- 39 Hedychium – Kahili Ginger
- 40 Heliconia
- 41 Hibiscus
- 42 Holmskioldia – “Chinaman’s top hat”
- 43 Hoya
- 44 Impatiens – Busy Lizzy
- 45 Impatiens – New Guinea
- 46 Impomea – Morning Glory
- 47 Iris

- 48 Ixora
- 49 Jacobina
- 50 Jasminium – Jasmine
- 51 Jatropha
- 52 Justicia
- 53 Kaempferia
- 54 Kalenchoe (any colour)
- 55 Lagerstroemia – “Queen of Flowers”
- 56 Lantana – Sage
- 57 Mandevilla
- 58 Mussaenda
- 59 Oxalis (purple and green)
- 60 Pachystachys Lutea (Shrimp Plant)
- 61 Pentas
- 62 Petrea
- 63 Pineapple (Ornamental)
- 64 Plumbago
- 65 Poinsetta
- 66 Portulaca (any colour)
- 67 Rose
- 68 Ruellia
- 69 Rusellia – “Antigua Heath”
- 71 Saint Paulia (African Violet)
- 72 Snow on the Mountain
- 73 Spathiphyllum
- 74 Stephanotis
- 75 Strelitzia – “Bird-of-Paradise Family”
- 76 Tabernamontana – Gardenia
- 77 Tagetes – Marigold
- 78 Tecoma – Yellow Elder Family
- 79 Thunbergia
- 80 Vinca
- 81 Zinzibar – Includes “Shampoo Ginger”
- 82 AOV – Not listed in Section A

**Section B      GESNERIADS**

- 1      Episcia
- 2      Episcia, 3 specimens, all different
- 3      Gloxinia
- 4      Saintpaulias (African Violets)
- 5      AOV Gesneriad

**Section C      Collections**

- 1      Three specimens, all different of same genera from those listed in Sections A & B
- 2      Three specimens, all different of mixed genera from those listed in Sections A & B



**Section D     HANGING CONTAINERS**

- 1     Any plant listed in Sections A & B grown in a container to hang (multiple specimens allowed in container)
  
- 2     Any plant listed in Section A & B grown in a container to hang (Single Specimen)

## ORNAMENTAL FOLIAGE PLANTS GROWN IN CONTAINERS - CLASS 6

### Section A Single or multiple Specimen

- 1 Acalypha
- 2 Aglaonema
- 3 Alocasia and Colocasia (multiple)
- 4 Alpinia
- 5 Ananas (Pineapple)
- 6 Anthurium (Ornamental Leaf Type)
- 7 Aralia and Polyscias
- 8 Asparagus (multiple)
- 9 Aspidistra
- 10 Bamboo (multiple)
- 11 Bamboo, miniature
- 12 Beaucarnea (Pony Tail Palm)
- 13 Begonia (for foliage)
- 14 Bermuda Lily (Hosta) (multiple)
- 15 Breynia – “Snow Bush”
- 16 Bromeliads (other than Cryptanthus for foliage) (multiple)
- 17 Bromeliad (Cryptanthus) (multiple)
- 18 Caladium - Fancy Leaf (multiple)
- 19 Caladium - Strap Leaf (multiple)
- 20 Calathea
- 21 Callisia & Tradescantia – includes “Wandering Jew” Plant (multiple)
- 22 Clusia (Fat Pork Tree)
- 23 Coccoloba – “Sea Grape”
- 24 Costus – “Spiral Ginger” (multiple)
- 25 Chlorophytum (Spider Plant)
- 26 Clerodendrum
- 27 Coleus
- 28 Cordyline
- 29 Croton - Over 2 Feet
- 30 Croton - Under 2 Feet
- 31 Crinum (multiple)
- 32 Crypanthus
- 33 Curcuma (multiple)
- 34 Cyperus – “Umbrella Plant” (multiple)
- 35 Daniella (New Zealand Flax)
- 36 Dieffenbachia
- 37 Dracaena, Pleomele
- 38 Durante
- 39 Eranthemum (Pseuderanthemum)
- 40 Epipremnum (Pathos)
- 41 Euonymus
- 42 Ficus (Rubber Plant Family) pot to 12” diam
- 43 Ficus (Rubber Plant Family) pot over 12” but less than 20” diam
- 44 Ficus (Rubber Plant Family) pot over 20” diam
- 45 Fittonia
- 46 Heliconia
- 47 Hemigraphis (multiple)

- 48 Hosta - Perennial
- 49 Ipomea
- 50 Iresine
- 51 Jatropha
- 52 Kaempferia
- 53 Kalanchoe
- 54 Lea Coccinea
- 55 Liriope (Grass)
- 56 Malpighia – “Holly family”
- 57 Marantha, Calathea, Ctenanthe - Arrowroot Family
- 58 Monstera
- 59 Musa
- 60 Ornamental Grasses & Sedges
- 61 Oxalis (multiple)
- 62 Pandanus (multiple)
- 63 Pedilantes (Devil’s Backbone)
- 64 Pellaea
- 65 Peperonia (multiple)
- 66 Philodendron (Climbing)
- 67 Philodendron (Self-heading)
- 68 Pittosporum
- 69 Plectranthus
- 70 Rhoeo – “Moses-in-Boat” Plant (multiple)
- 71 Sanchezia
- 72 Sansivera Dwarf
- 73 Scindapsus
- 74 Schefflera
- 75 Senecio (Ivy)
- 76 Spathyphyllum (multiple)
- 77 Strelitzia – including Traveller’s Palm
- 78 Strobilanthes – “Persian Shield” Plant
- 79 Sygonium (Climbing)
- 80 Syngonium (Self- heading) (multiple)
- 81 Tradescantia (Wandering Jew)
- 82 Yucca
- 83 Zee Zee (multiple)
- 84 Zinziber
- 85 Any Ornamental not listed above

## **Section B - Collections**

- 1 Three specimens, all different of same genus as those listed in Sections A (i.e. 3 Aralias, 3 crotons, etc.), grown in the same pot
- 2 Three specimens of those listed in Sections A, different genera, grown in the same pot.

## **Section C - Hanging Plants - Collection**

1. Any plant listed in Sections A grown in a container to hang
2. **HANGING GARDEN – Selection** of plants from **Classes 5 and 6:**  
To create a colourful and **Artistically** pleasing hanging garden.  
**All plants must be rooted specimens. Cut flowers or foliage are not allowed.**

## **Section D**

### **1. CONTAINER GARDEN**

The container can be a dish, basket or pot. Accessories are allowed.  
Plants used from classes 5 and 6:

1. Under 12 inches overall in diameter/square
2. Over 12 inches overall in diameter/square

### **2. TOPIARY**

**Any plant from classes 5 and 6 grown to create:**

1. Standards and simple geometric shapes
2. Whimsical – birds, animals, letters etc.

## ORNAMENTAL PALMS AND CYCADS GROWN IN CONTAINERS - CLASS 7

### Section A1 PALMS, Feather leaves – Single Specimen

- 1 Acrocomia – includes Gru-gru palm
- 2 Aiphanes – includes Macaw palm
- 3 Areca – includes Betelnut palm
- 4 Archontophoenix – includes Alexandra or King palm
- 5 Arenga – Sugar palms
- 6 Astrocaryum
- 7 Attalea – including Cohune palm
- 8 Bactris – including Peach palm
- 9 Bentinckia – including Lord Bentinck's palm
- 10 Butia – Jelly palms
- 11 Caryota – Fishtail palms
- 12 Chamaedorea – includes Bamboo palms
- 13 Chambeyronia – Red Feather palm
- 14 Climbing Palms – Calamus, Daemonorops & Desmoncus spp
- 15 Cocos – Coconut
- 16 Cyrtostachys – Sealing Wax or Lipstick palm
- 17 Dypsis ( Golden, Teddy Bear & Triangle palms)
- 18 Elaeis - Oil Palms
- 19 Euterpe
- 20 Fan
- 21 Howea – Kentia palms
- 22 Hyophorbe – Bottle & Spindle palms
- 23 Iriarteia – Barrigona palm
- 24 Phoenix – Date palms
- 25 Psuedophoenix– includes Buccaneer palm
- 26 Ptychosperma – includes Macarthur and Solitare palms
- 27 Ravenea – includes Majesty palm
- 28 Roystonea – Royal palms
- 29 Socratea – Stilt palm
- 30 Syagrus – Queen palm family
- 31 Thrinax
- 32 Veitchia & Adonidia – includes Montgomery & Christmas palms
- 33 Wallichia – Wallich palms
- 34 Wettinia
- 35 Wodyetia & Normanbya.- Foxtail & Black palms
- 36 A.O.V

## **Section A2 PALMS, Fan Leaves - Single Specimen**

- 1 Acoelorrhaphe – Paurotis or Everglades palm
- 2 Bismarkia
- 3 Chamaerops – European Fan palm
- 4 Cocothrinax – includes Barbados Fan palm
- 5 Hyphaene – Duom palms
- 6 Latania – Latan palms
- 7 Licuala - Grandis
- 8 Livistona – includes Chinese Fan and Footstool palms
- 9 Pritchardia – includes Fiji Fan palm
- 10 Rhaps – includes Lady palm
- 11 Sabal
- 12 Serenoa – Saw palmetto
- 13 Trachycarpus – includes Windmill palm
- 14 Washingtonia - Cotton palms
- 15 A.O.V.

## **Section A3 CYCADS – Single Specimen**

- 1 Bowenia
- 2 Ceratozamia
- 3 Cycas
- 4 Dioon
- 5 Encephalartos
- 6 Lepidozamia
- 7 Macrozamia
- 8 Zamia
- 9 A.O.V.

## **Section B2 PALMS - Collections**

- 1 Three specimens, all different but of the same genus as those listed in Sections A1 and A2 (ie 3 Caryota, 3 Livistona, etc). To be shown in individual pots.
- 2 Three specimens of those listed in Sections A1 and A2, different genera, that in some way complement, or contrast with, each other. To be shown in individual pots.
- 3 Three specimens of those listed in Sections A1 and A2 of same species, (i.e. 3 Christmas palm, 3 Chamaedorea metallica). To be shown in individual pots.
- 4 Unusual Palms – Three specimens of those listed in Sections A1 and A2 different genera, that demonstrate unusual characteristics such as, variety of colour, spiny leaves and trunks, plumose leaflets, stilt roots, in the palm family.

## **Section B3 CYCADS - Collections**

- 1 Three specimens, all different but of the same genus as those listed in Section B3 (ie 3 x Cycas, 3 x Zamia, etc). To be shown in individual pots.
- 2 Three specimens of those listed in Section B3, different genera. To be shown in individual pots.

## VEGETABLES - CLASS 8

Exhibits should be as uniform as possible where there are more than one specimen eg carrots. All exhibits must be clean and free of disease. Potted specimens of herbs and seasoning and leafy vegetables must adhere to the Rules for exhibiting specified earlier in this document.

Exhibits may be cut and tested during judging.

### Section A - HERBS AND SEASONING – Potted Specimens

- 1 Basil
- 2 Basil (Lemon)
- 3 Basil (Thai)
- 4 Basil (Purple)
- 5 Bay Leaf
- 6 Celery
- 7 Chives
- 8 Corriander
- 9 Eschallots
- 10 Garlic Chives
- 11 Lemon Grass
- 12 Marjoram
- 13 Mint (any variety)
- 14 Oregano
- 15 Parsley
- 16 Peppers
- 17 Rosemary
- 18 Tarragon
- 19 Thyme
- 20 Thyme (Broad Leaf)
- 21 Thyme (Variegated)
- 22 Thyme (Guyanese)
- 23 Collection of herbs (not less than 4 varieties)

### Section B LEGUMES

- *Beans and peas with short stems attached*
  - *Each entry should fill a plate*
- 1 French or Butter Beans
  - 2 Blackeye Peas
  - 3 Bonavist Peas
  - 4 Lima Beans
  - 5 Pigeon Peas
  - 6 AOV Beans or Peas

## VEGETABLES CLASS - 8 *Continued*

### **Section C VEGETABLES**

*Each entry should fill the plate provided unless otherwise stated.*

- 1 Beetroot with leaf stalks attached
- 2 Breadfruit (not more than two specimens)
- 3 Breadnut (not more than two specimens)
- 4 Carrot with leaf stalks attached
- 5 Cauliflower
- 6 Christophene (Sechium)
- 7 Cucumber
- 8 Eggplant
- 9 Marrow (one large specimen)
- 10 Okra
- 11 Onions, fully cured and with 3 inches of stem
- 12 Pepper (Hot)
- 13 Pepper (Sweet)
- 14 Pumpkin (Belly) one large specimen
- 15 Pumpkin (Garden) one large specimen
- 16 Radish
- 17 Squash, any variety
- 18 Tomato
- 19 Any other vegetable

### **Section D VEGETABLES (LEAFY) – Potted Specimens**

- 1 Broccoli
- 2 Cabbage
- 3 Chinese Cabbage
- 4 Curry Leaf Plant
- 5 Kale
- 6 Lettuce (Leafy)
- 7 Lettuce (Heading type)
- 8 Rocket
- 9 Spinach

### **Section E VEGETABLES (NON-LEAFY) – Potted Specimens**

1. Tomato
2. Eggplant
3. Pepper (any variety)
4. AOV

### **Section F ROOT VEGETABLES**

- 1 Cassava, two specimens
- 2 Eddoe, plate full
- 3 Ginger, plate full
- 4 Irish or English Potato, plate full
- 5 Sweet Potato, any variety, two matched specimens
- 6 Turmeric, plate full
- 7 Yam, two matched specimens or single specimen if extra large



## FRUIT - CLASS 9

### Section A CITRUS

- *Fruit clusters are desirable, detached specimens should fill plate*

- 1 Grapefruit
- 2 Orange
- 3 King Orange / Ortanique / Tangelo
- 4 Lemon
- 5 Lime
- 6 Mandarin
- 7 Shaddock

### Section B FRUIT - LARGE

- *Entries should be full, edible within 3 days*

- 1 Avocado, two specimens
- 2 Banana, any variety, single hand
- 3 Breadfruit single specimen
- 4 Coconut three specimens
- 5 Melon, water, single specimen
- 6 Melon, AOV, single specimen
- 7 Pawpaw, single specimen
- 8 Plantain, single hand
- 9 AOV

### Section C FRUIT - SMALL

- *Entries should be uniform size, edible within 3 days*

- 1 Ackee, plate full
- 2 Carambola, plate full
- 3 Cherry plate full
- 4 Dunks, plate full
- 5 Golden Apples (5)
- 6 Gooseberry, plate full
- 7 Guava, plate full
- 8 Grapes, one bunch
- 9 Mamee Apples (3)
- 10 Mangoes (3)
- 11 Passion Fruit, plate full
- 12 Pomegranate (3)
- 13 Chilly Plums, plate full
- 14 Hog Plums, plate full
- 15 Sugar Apple (5)
- 16 AOV Fruit Small

BARBADOS HORTICULTURAL SOCIETY

FLOWER ARRANGING – CLASS 10

FLOWERS IN RHYTHM

B E R T

1. BEAUTIFUL

An Exhibit

**Space Allowed**

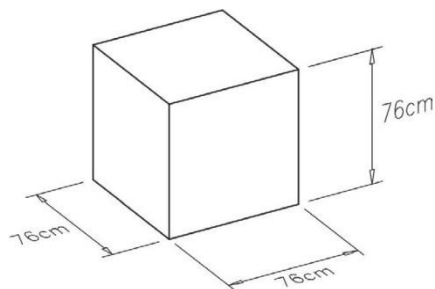
Width: 76 cm. Depth: 76 cm. Height: Optional

**Staging**

A cube width 76 cm, depth 76 cm, height 76 cm

Colour: Champagne

Judged from all around



2. EXOTIC

An Exhibit featuring only local plant material

**Space Allowed**

Diameter: 91.5 cm. Height: Optional

**Staging**

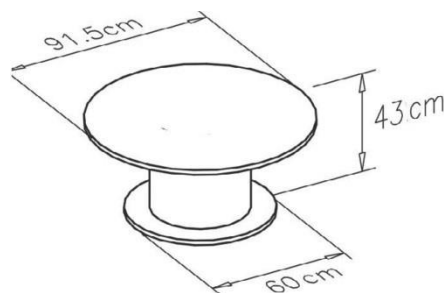
A wooden spool with a top

Spool diameter 60 cm, height 43 cm

Top diameter 91.5 cm, thickness 1.5 cm

Colour: Orange

Judged from all around



3. RADIANT

An Exhibit

**Space Allowed**

Width: 91.5 cm. Depth: 75 cm. Height: Optional

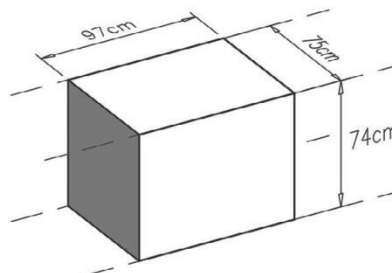
**Staging**

Draped tabling 74 cm from floor

Colour: Black

Background: White

Judged from the front



#### 4. TEXTURE

Craft

An Exhibit

No fresh plant material

##### Space Allowed

Width: 60 cm. Depth: 30 cm. Height: Optional

##### Staging

A vertical wooden panel, with an L-shaped hook attached to the centre of a base

Panel width 29 cm, depth 1.5 cm, height 183 cm

Hook length 3.8 cm. affixed 15.2 cm. from top

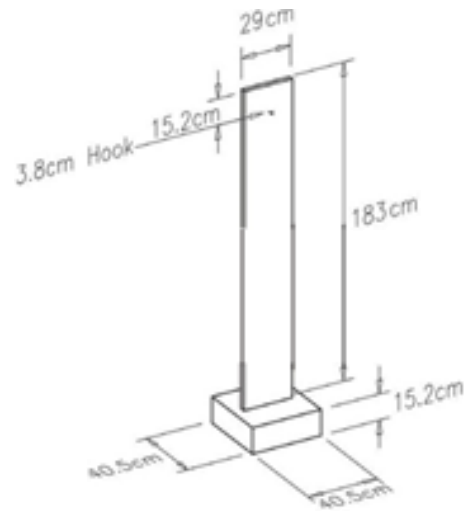
Base width 40.5 cm, depth 40.5 cm, height 15.2 cm

Colour: Natural pine

Background: White

Judged from the front

May be pre-assembled



#### 5. HOME GROWN

An Exhibit featuring local foliage

##### Space Allowed

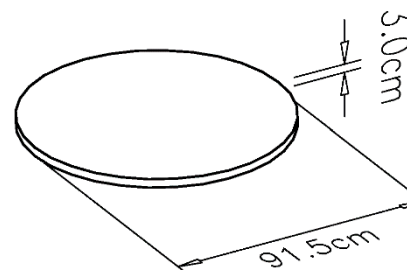
Diameter: 91.5 cm

##### Staging

A circular base diameter 91.5 cm, thickness 3 cm

Colour: Green

Judged from all around



## FLOWER ARRANGING - CLASS 10

Prizes awarded in each section by the Barbados Flower Arranging Society.

The National Conservation Commission Challenge Cup for Best Dried Flower Exhibit

The Y deLima (Barbados) Limited Cup for Best Floral Exhibit

The Edna Worrell Perpetual Challenge Cup for Most Points in Show

The BHS Cup for Best Local Flower and Foliage Exhibit

The Toppin Walker Perpetual Challenge Trophy for Best Foliage Exhibit

The BHS Perpetual Challenge Trophy for Best Foliage Exhibit in Memory of Maria Craig

### CLASS 10 - REGULATIONS

- 1 The competition is open to members of clubs affiliated to the Barbados Horticultural Society as well as to members of the public.
- 2 **All exhibits must be the unaided work of the competitor** and must be assembled in the Main Hall, at BHS headquarters.
- 3 The position to be occupied by all exhibits will be decided by the Show Committee.
- 4 All exhibits will be judged in accordance with the NAFAS Handbook of "Competitors Manual" 2<sup>nd</sup> Edition 2009. Any prize may be withheld or modified if the exhibits are considered undeserving of the prize offered.
- 5 An exhibit is composed of natural plant material with or without accessories, contained within a space as specified in a show schedule. The show schedule should clearly state if accessories are **not** permitted; unless this is done, they may always be included. If one placement only is required, this should be stated in the show schedule. Bases, drapes, backgrounds and title cards may also be included in an exhibit, unless otherwise stated.
- 6 All property of exhibitors will be left at the owner's risk. Neither the BAFA Inc. nor the BHS can accept liability whatsoever for any loss or damage.
- 7 A first, second and third prize will be awarded in each class. The judges may award an **Honourable Mention** to any exhibit they deem fit. There will be no prize for the latter.
- 8 There will be a point system for which the above awards will qualify, viz 1<sup>st</sup> prize – **5 points**; 2<sup>nd</sup> prize – **3 points**; 3<sup>rd</sup> prize – **1 point**.
- 9 Exhibits will qualify for the CUPS listed and prizes.
- 10 Entries may be phoned in to Erica Grainger 424-7651 by Wednesday January 16<sup>th</sup> 2019.
- 11 Staging time on Friday 25<sup>th</sup> January 2019, 8:00 am to 10:00 pm.
- 12 Judging of exhibits will take place between 7:30 am to 10:00 am on Saturday 26<sup>th</sup> January 2019. **No one is allowed in the Hall at this time.**
- 13 **Show times are 10:00 am to 6:00 pm** Saturday 26<sup>th</sup> January 2019, and **10:00 am to 6:00 pm** Sunday 27<sup>th</sup> January 2019. Prize giving will be held on Sunday January 27<sup>th</sup> at 4:00 pm.
- 14 Dismantling will be Sunday 27<sup>th</sup> January 2019 after 6:00 pm, or Monday 28<sup>th</sup> January 2019 between 8:00 am and 4:00 pm. **BHS does not accept liability for the property of exhibitors left after these times.**

## **BONSAI DISPLAY - CLASS 11**

### **Section A Under 10 inches (30 cm) tall including container**

- 1 Single tree
- 2 More than one tree

### **Section B Over 10 inches (30 cm) tall including container**

- 1 Single tree
- 2 More than one tree
- 3 Saikei (landscape)
- 4 Suiseki (viewing stones)

## CACTI AND OTHER SUCCULENTS - CLASS 12

### Rules and Regulations for Judging

#### Entry of Exhibits:

Cacti and Succulents are received on the Thursday before the show between 1:00 pm and 8:00 pm

#### Judging:

Judging takes place on the Friday before the show at 2:00 pm

#### Cups and Trophies:

- (1) Barbados Horticultural Society's Challenge Cups can be won by members of the BHS only
- (2) Members of the public are eligible to win other prizes
- (3) Prizes will be presented on Sunday during the show at 4:00 pm.

#### Removal of Exhibits:

This may be done on the Sunday of the show after 6:00 pm when the show is closed. Only persons with tickets bearing the numbers which are the same as those tickets attached to plants will be allowed to remove the exhibit.

#### Exhibits:

- (1) All plants exhibited should have been in possession of the individual for not less than six months
- (2) Plants being exhibited must be free of disease, dead leaves and weeds, and their containers must be clean
- (3) Single specimen except otherwise stated
- (4) Plants winning the Best Cactus Cup, and the Best Succulent Cup, are not eligible for entry for two consecutive years after winning such cups.

#### Cups:

- (1) Any cup presented to or purchased by the BHS shall be competed for only by financial members of the BHS

#### Judges and Judging:

- (1) The Committee of Management of BHS shall appoint the judges of this Society
- (2) No judge must ever judge their own exhibit
- (3) During the judging of Cacti and Succulents, only Stewards are authorized to come within 50 ft of the judging area.
- (4) The decision of the judges shall be "final".

## CACTI AND OTHER SUCCULENTS – CLASS 12

### Section A - CACTI

- 1 Astrophytum small pot, not exceeding 4 inches
- 2 Astrophytum large pot over 4 inches
- 3 Astrophytum, 3 specimens, all different
- 4 Cereus not exceeding 2 feet high
- 5 Cereus, over 2 feet high
- 6 Cereus, 3 specimens, all different, not exceeding 2 feet high
- 7 Cereus Espostoas not exceeding 2 feet high
- 8 Echinocactus, small, pot not exceeding 4 inches
- 9 Echinocactus, large, pot over 4 inches
- 10 Echinocereus
- 11 Echinopsis, small, pot not exceeding 4 inches
- 12 Echinopsis, large pot, not over 4 inches
- 13 Echinopsis, 3 specimens, all different
- 14 Grafted Cacti
- 15 Gymnocalycium, small, pot not exceeding 4 inches
- 16 Gymnocalycium, large, pot over 4 inches
- 17 Gymnocalycium, small, 3 specimens, all different
- 18 Gymnocalycium, large, 3 specimens, all different
- 19 Lobivia
- 20 Mammillaria small pot not exceeding 4 inches
- 21 Mammillaria, pot exceeding 4 inches, but less than 6 inches
- 22 Mammillaria, pot exceeding 6 inches, but less than 9 inches
- 23 Mammillaria, pot exceeding 9 inches, but less than 12 inches
- 24 Mammillaria, large, pot over 12 inches
- 25 Mammillaria, pot not exceeding 4 inches, 3 specimens, all different
- 26 Mammillaria, pot exceeding 4 inches, but less than 6 inches, 3 specimens, all different
- 27 Mammillaria, pot exceeding 6 inches, but less than 9 inches, 3 specimens, all different
- 28 Mammillaria, pot exceeding 9 inches, but less than 12 inches, 3 specimens, all different
- 29 Mammillaria, large, pot over 12 inches, 3 specimens, all different
- 30 Matucana
- 31 Melocactus, small, pot not exceeding 4 inches
- 32 Melocactus, large, pot over 4 inches
- 33 Notocactus
- 34 Opuntia
- 35 Opuntia, 3 specimens all different
- 36 Parodia
- 37 Stenocatus
- 38 Rebutia
- 39 AOV Cactus not used or listed above
- 40 3 cacti, all different genera
- 41 4 cacti, all different genera
- 42 Cristate or Monstrous Cacti, pot not exceeding 4 inches
- 43 Cristate or Monstrous Cacti, pot over 4 inches
- 44 Rhipsalis

**Section B****SUCCULENTS**

- 1 Adeniums under two feet
- 2 Adeniums over two feet
- 3 Agave, small plant not exceeding 12 inches in diameter
- 4 Agave, large plant over 12 inches in diameter
- 5 Agave, 3 specimens, all different
- 6 Aloe, small plant not exceeding 12 inches in diameter
- 7 Aloe, plant over 12 inches in diameter
- 8 Aloe, 3 specimens, all different
- 9 Crassula, small pot under 12 inches in diameter
- 10 Crassula, large pot over 12 inches in diameter
- 11 Echeveria, small pot under 12 inches in diameter
- 12 Echeveria, large pot over 12 inches in diameter
- 13 Euphorbia, in flower, pot not exceeding 4 inches in diameter
- 14 Euphorbia, in flower, pot over 4 inches in diameter
- 15 Euphorbia, small pot not exceeding 4 inches in diameter
- 16 Euphorbia, large, pot over 4 inches in diameter
- 17 Euphorbia, 3 specimens, all different
- 18 Gasteria, small, pot not exceeding 4 inches in diameter
- 19 Gasteria, large, pot over 4 inches in diameter
- 20 Gasteria, 3 specimens, all different
- 21 Haworthia, small, pot not exceeding 4 inches in diameter
- 22 Haworthia, large, pot over 4 inches in diameter
- 23 Haworthia, 3 specimens, all different
- 24 Kalanchoe
- 25 Kalanchoe blossfeldiana (red) in flower
- 26 Kalanchoe, other colours in flower
- 27 Mesembryanthemum
- 28 Monadenium
- 29 Pachypodium under 2 feet
- 30 Pachypodium over 2 feet
- 31 Pachyphytum
- 32 Sansevieria, small, not over 9 inches tall
- 33 Sansevieria, large, over 9 inches tall
- 34 Sansevieria, 3 specimens, all different
- 35 Sedum
- 36 Sempervivum
- 37 Senecio
- 38 Stapeliads, any species
- 39 Stapeliads, 3 specimens, all different
- 40 AOV Succulent, not listed above, pot not exceeding 4 inches tall
- 41 AOV Succulent, not listed above, pot over 4 inches tall
- 42 Succulents, 3 specimens, all different genera
- 43 Cristate or Monstrous Succulent
- 44 Cactus and Succulent Dish Garden, dish not exceeding 12 inches in diameter
- 45 Cactus and Succulent Dish Garden, dish over 12 inches in diameter.
- 46 Thematic Exhibit of **Cacti and /or Succulents**: Space not exceeding 24"x 24". Each entry for this category shall consist of **8 plants** in **separate pots** illustrating a **theme** which can be **geographical** or **botanical**. Each entry will include a card on which the **title** is clearly **written** together with any additional **explanatory information**. To be judged as a collection.

**Rev. Dr. Wayne Ramsay Challenge cup for the best Cactus & Succulent - Dish Garden**



## BARBADOS HORTICULTURAL SOCIETY'S CHALLENGE CUPS AND SPECIAL PRIZES 2018

Name of Cup	Criteria	Winners
<b>Cut Flowers</b>		
1 The Earla Maynard Cup	Best Flower Exhibit .....	Norma Johnson
2 The George Money Perpetual Challenge Trophy	Best Hibiscus Exhibit .....	Ole Dam-Mikkelsen
3 The Louis Bayley Cup	Best Rose Exhibit .....	Not Awarded
4 The Gas Products Ltd Cup	Best Rose Exhibit (over 40 petals) .....	Not Awarded
5 The Manning Wilkinson & Challenor Ltd Trophy	Best Rose Exhibit (under 40 petals) .....	Not Awarded
6 The Iris Bannochie Memorial Challenge Cup	Best Heliconia .....	Ole Dam-Mikkelsen
7 The Andromeda Botanic Garden Trophy	Best Ginger Specimen .....	Ole Dam-Mikkelsen
8 The Virgin Atlantic Trophy	Best Hybrid Anthurium .....	Julie Landis
9 The Nature Care Trophy	Best AOV Cut Flower .....	Madeline Daisley
10 The BHS Cup	Greatest Number of Points in Cut Flowers.....	Prema Singh
<b>Flowering Ornamentals</b>		
11 The Samuel Callender Cup	Best Hanging Plant .....	Not Awarded
12 The Christopher Leacock Memorial Cup	Best Plant-in-flower in Gesneriads .....	Not Awarded
13 The Phostrogen Challenge Cup	Best Plant-in-flower .....	Prema Singh
14 The Madeline Daisley Challenge Trophy	Best Potted Flowering Bougainvillea .....	Madeline Daisley
15 The Agro Chemicals Inc. Monetary Voucher	Most Points in Flowering Ornamentals .....	Prema Singh
16 The Flamboyant Nurseries Trophy	Most Points in Flowering Ornamentals .....	Prema Singh
<b>Ornamentals</b>		
17 The Gladys Kirton Perpetual Challenge Trophy	Best Potted Croton .....	Prema Singh
18 The Victor Roach Cup	Best Ornamental Foliage Plant .....	Jessica Cadogan
19 The Gladys Worme Memorial Cup	Best Coleus .....	Not Awarded
20 The Carter & Company Limited Cup	Most Points Gained in Ornamentals .....	Madeline Daisley
21 The BHS Prize	Most Points Gained in Ornamentals .....	Madeline Daisley
22 The Iris Bannochie Cup	Best Ornamental Foliage Plant .....	Jessica Cadogan
23 The Henry DaCosta Alleyne Cup	The Most Outstanding Exhibit in the Show .....	Julie Landis
<b>Orchids</b>		
24 The Mairol Cup	Best Orchid Exhibit .....	Jessica Cadogan
25 The Sea Freight Agencies Ltd Cup	Best Phalaenopsis .....	Jessica Cadogan
26 The Manning Wilkinson & Challenor Ltd Cup	Best Vandaceous Orchid .....	Michael Marshall
27 The Purity Bakeries Ltd Cup	Best Dendrobium – Phalaenopisi Type .....	Michael Waithe
28 The BHS Prize	Best Cattleya (to be kept) .....	Kevin Harewood
29 The Arawak Cement Ltd Perpetual Trophy 1998	Greatest Number of Points Gained in Orchids .....	Michael Marshall

## BARBADOS HORTICULTURAL SOCIETY'S CHALLENGE CUPS AND SPECIAL PRIZES 2018

Name of Cup	Criteria	Winners
<b>Ferns</b>		
30 The DaCosta Manning Challenge Cup	Best Fern Exhibit .....	Julie Landis
31 The Agrochemical Monetary Voucher	Best Fern Exhibit .....	Julie Landis
32 The Daisy Coulter Memorial Cup	Best 3 AOV Adiantum Ferns .....	Not Awarded
33 Marjorie Callender Memorial Trophy	Most points in Ferns .....	Julie Landis
<b>Palms</b>		
34 The Nature Care Cup	Most Outstanding Cycad .....	Jessica Cadogan
35 The Nature Care Cup	Most Outstanding Native Palm .....	Norma Johnson
36 Dover Palms Cup	Most Outstanding Fan Palm .....	Jessica Cadogan
37 Talma Mills Studio Cup	Most Outstanding Feather Palm .....	Jessica Cadogan
38 The BHS Cup	Most Outstanding Collection of Palms .....	Not Awarded
<b>Fruit and Vegetables</b>		
39 The BHS Prize	Best Exhibit of Vegetables (large) .....	Not Awarded
40 The BHS Prize	Best Exhibit of Root Vegetables .....	Not Awarded
41 The A C P Associates Cup	Best Potted Herbs and Seasonings .....	Madeline Daisley
42 The BHS Prize	Best Exhibit Class 8 Section A – Herbs .....	Madeline Daisley
43 The BHS Prize	Best Exhibit Class 8 Section C – Fruit .....	Julie Landis
44 The BHS Prize	Best Exhibit of Citrus .....	Not Awarded
45 The BHS Prize	Best Exhibit of Fruit (small) .....	Madeline Daisley
46 The BHS Prize	Best Exhibit of Fruit (large) .....	Rev. Dr. Wayne Ramsay
47 The BHS Prize	Best Leafy Vegetables .....	Prema Singh
48 The Agro Chemicals Inc Monetary Voucher	Most Points Gained in Classes 8 .....	Prema Singh
	Most Points Gained in Classes 9. ....	Madeline Daisley
<b>Bonsai</b>		
49 The BHS Cup	Best Bonsai Exhibit .....	Not Awarded
<b>Cacti and Succulents</b>		
50 The Samuel Callender Cup	Best Three Small Mammillarias .....	Toni Gilkes
51 The Kathleen Harris Memorial Cup	Most Points in Cacti & Other Succulents .....	Not Awarded
52 The Hayter Lawn Mower Cup	Best Cactus Exhibit .....	Toni Gilkes
53 The BHS Prize	Best Cactus Exhibit .....	Toni Gilkes
54 The Rev. Dr Wayne Ramsay Challenge Cup	Best Cactus & Succulent Dish Garden .....	Not Awarded

## BARBADOS HORTICULTURAL SOCIETY'S CHALLENGE CUPS AND SPECIAL PRIZES 2018

Name of Cup	Criteria	Winners
<b>Flower Arranging</b>		
55 The BHS Challenge Trophy	Best Local Flower and Foliage Arrangement .....	Jessica Cadogan
56 The National Conservation Commission Challenge Cup	Best Dried Flower Arrangement .....	Not Awarded
57 The Toppin Walker Perpetual Challenge Trophy	Best Foliage Arrangement .....	Not Awarded
58 The Edna Worrell Challenge Cup	Most Points in Floral Arrangements .....	Jacqueline Ferdinand
<b>Special Prizes</b>		
59 The George Hutchinson Cup	The Most Aesthetically Pleasing Non-commercial Display in the Show .....	Not Awarded
60 The National Conservation Commission Cup	Best Display at the Show .....	Not Awarded
61 The BHS Gold Medal	Best Trade Exhibit .....	Not Awarded
62 The BHS Silver Medal	Highly Commended Trade Exhibit .....	Not Awarded
63 The BHS Cup and Gold Medal	Best Overseas Exhibit – Accompanied .....	Not Awarded
64 The BHS Silver Medal	2 <sup>nd</sup> Best Overseas Exhibit – Accompanied .....	Not Awarded
65 The BHS Bronze Medal	3 <sup>rd</sup> Best Overseas Exhibit – Accompanied .....	Not Awarded
66 The BHS Cup and Gold Medal	Best Overseas Exhibit – Unaccompanied .....	Not Awarded
<b>Banksian Medal</b>		
67 The Royal Horticultural Society's Banksian Medal	Highest Aggregate of Points from 4 or more Classes in the Show .....	Madeline Daisley
68 The Simpson Motors Perpetual Challenge Trophy	To be awarded simultaneously with the Banksian Medal .....	Madeline Daisley
69 The Betty Maxwell Trophy	2 <sup>nd</sup> Highest Aggregate of Points from 4 or more Classes in the Show .....	Prema Singh

**BARBADOS HORTICULTURAL SOCIETY**

**REGISTRATION FORM**

FLOWER AND GARDEN SHOW 20\_\_\_\_\_

All Exhibitors should complete this 'Form' prior to or when delivering plants for exhibition

NAME \_\_\_\_\_ ADDRESS \_\_\_\_\_

\_\_\_\_\_ TELEPHONE \_\_\_\_\_

Plants Submitted: If submitting more than one plant, please indicate below

<b>CLASS</b>	<b>CATEGORY</b>	<b>Q T Y</b>	<b>PLANT NAME</b>
1	CUT FLOWERS		
2	ORCHID CUT FLOWERS		
3	ORCHID PLANTS IN FLOWER		
4	FERNS		
5	PLANTS IN FLOWER ( <b>GROWN IN CONTAINERS</b> )		
6	ORNAMENTAL FOLIAGE ( <b>GROWN IN CONTAINERS</b> )		
7	PALMS & CYCADS ( <b>GROWN IN CONTAINERS</b> )		
8	VEGETABLES		
9	FRUIT		
10	FLOWER ARRANGING		
11	BONSAI		
12	CACTI AND SUCCULENTS		



